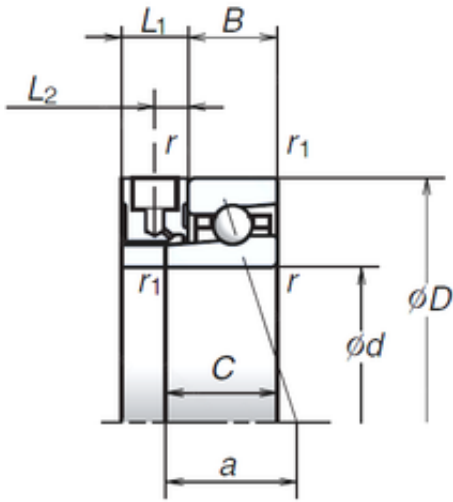




REXROTH BEARINGS DEVELOPMENT LTD



60 mm x 95 mm x 18 mm NSK 60BNR10XE
angular contact ball bearings

Bearing No. 60BNR10XE

Size	60x95x18 mm
Bore Diameter	60 mm
Outer Diameter	95 mm
Width	18 mm
d	60 mm
D	95 mm
B	18 mm
C	23 mm
L2	7,5 mm
Angle (°)	18 °
a	26,5 mm
r min.	1,1 mm
r1 min.	0,6 mm
L1	15 mm
Weight	0,463 Kg
Basic dynamic load rating (C)	15,6 kN
Basic static load rating (C0)	13,7 kN
(Grease) Lubrication Speed	42 600 r/min

60BNR10XE Bearing 2D drawings and 3D CAD models