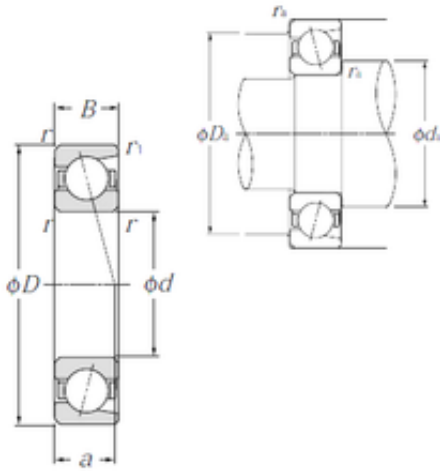




REXROTH BEARINGS DEVELOPMENT LTD

60 mm x 95 mm x 18 mm NTN 7012C angular contact ball bearings



Bearing No. 7012C

Size	60x95x18 mm
Bore Diameter	60 mm
Outer Diameter	95 mm
Width	18 mm
d	60 mm
D	95 mm
B	18 mm
C	18 mm
Angle (°)	15 °
a	19,5 mm
r min.	1,1 mm
r1 min.	0,6 mm
Weight	0,387 Kg
Basic dynamic load rating (C)	35 kN
Basic static load rating (C0)	30,5 kN
(Grease) Lubrication Speed	11 000 r/min
(Oil) Lubrication Speed	14 000 r/min

7012C Bearing 2D drawings and 3D CAD models