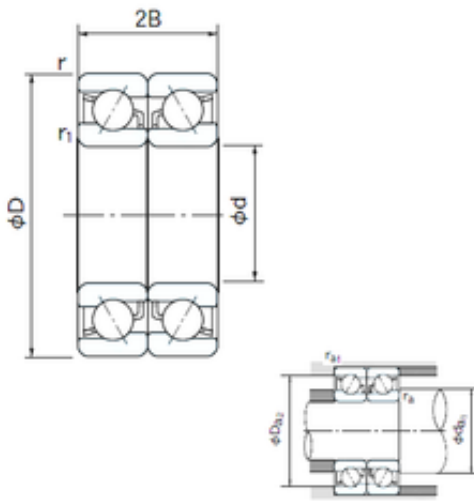




# REXROTH BEARINGS DEVELOPMENT LTD



55 mm x 90 mm x 18 mm NACHI 7011DB  
angular contact ball bearings

Bearing No. 7011DB

7011DB Bearing 2D drawings and 3D CAD models

|                               |                  |
|-------------------------------|------------------|
| Size                          | 55x90x18 mm      |
| Bore Diameter                 | 55 mm            |
| Outer Diameter                | 90 mm            |
| Width                         | 18 mm            |
| d                             | 55 mm            |
| D                             | 90 mm            |
| B                             | 18 mm            |
| C                             | 18 mm            |
| Angle ( ° )                   | 30 °             |
| a                             | 11.9 mm          |
| r min.                        | 1.1 mm           |
| r1 min.                       | 0.6 mm           |
| 2B                            | 36 mm            |
| da min.                       | 61 mm            |
| Da max.                       | 86 mm            |
| ra max.                       | 0.6 mm           |
| Weight                        | 0.420 Kg         |
| Basic dynamic load rating (C) | 50,5 kN          |
| Basic static load rating (C0) | 52,5 kN          |
| (Grease) Lubrication Speed    | 5000 r/min       |
| Bore Type                     | Cylindrical Bore |
| Enclosure                     | Open             |
| Configuration                 | Duplex           |
| Bore Size                     | 55 mm            |
| Outside Diameter              | 90 mm            |



## REXROTH BEARINGS DEVELOPMENT LTD

|                         |           |
|-------------------------|-----------|
| Width                   | 18 mm     |
| Fillet Radius/Chamfer   | 1.1 mm    |
| r1                      | 0.6 mm    |
| Dynamic Load Rating     | 50,500 N  |
| Static Load Rating      | 52,500 N  |
| Limiting Speed - Grease | 5,000 rpm |
| Limiting Speed - Oil    | 6,700 rpm |
| da1 (min)               | 61 mm     |
| da2 (min)               | 61 mm     |
| Da1 (max)               | 84 mm     |
| Da2 (max)               | 86 mm     |
| ra (max)                | 1 mm      |
| ra1 (max)               | 0.6 mm    |