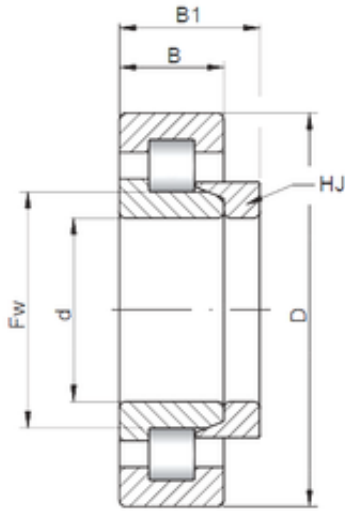




REXROTH BEARINGS DEVELOPMENT LTD



35 mm x 100 mm x 25 mm Loyal NH407
cylindrical roller bearings

Bearing No. NH407

Size	35x100x25 mm
Bore Diameter	35 mm
Outer Diameter	100 mm
Width	25 mm
d	35 mm
Fw	53 mm
D	100 mm
B	25 mm
C	25 mm
B1	8 mm
B2	13 mm
Weight	1,14 Kg
Basic dynamic load rating (C)	75,2 kN
Basic static load rating (C0)	68,9 kN
(Grease) Lubrication Speed	6600 r/min

NH407 Bearing 2D drawings and 3D CAD models