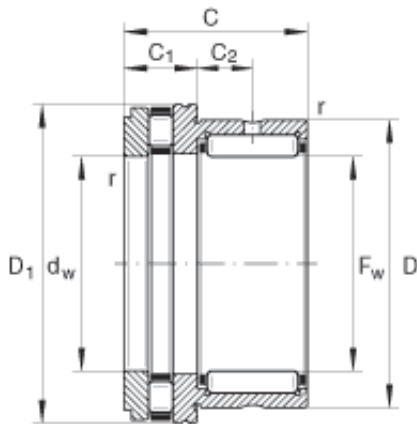




# REXROTH BEARINGS DEVELOPMENT LTD



NKXR30 Bearing 2D drawings and 3D CAD models

## INA NKXR30 complex bearings

Bearing No. NKXR30

|                                 |  |
|---------------------------------|--|
| Size                            | 30x42x30 mm                            |
| Bore Diameter                   | 30 mm                                  |
| Outer Diameter                  | 42 mm                                  |
| Width                           | 30 mm                                  |
| $F_w$                           | 30 mm                                  |
| D                               | 42 mm                                  |
| C - 30 mm / Tolerance: -0,25    | 30 mm / Tolerance: 0,25                |
| $C_1$ - 11 mm / Tolerance: -0,2 | 11 mm / Tolerance: 0,2                 |
| $C_2$                           | 9,5 mm                                 |
| $D_{1 \max}$                    | 47,1 mm                                |
| $d_a$                           | 42,7 mm                                |
| $d_w$                           | 30 mm / Tolerance: E8                  |
| $r_{a \max}$                    | 0,6 mm                                 |
| $r_{\min}$                      | 0,6 mm                                 |
|                                 | NAXR30 / Designation to DIN 5429       |
| m                               | 135 g / Weight                         |
| $C_r$                           | 25500 N / Dynamic load rating (radial) |
| $C_{0r}$                        | 36000 N / Static load rating (radial)  |
| $C_a$                           | 35500 N / Dynamic load rating (axial)  |
| $C_{0a}$                        | 86000 N / Static load rating (axial)   |
|                                 |  |



## REXROTH BEARINGS DEVELOPMENT LTD

|                            |  |
|----------------------------|--|
| $C_{ur}$                   | 6300 N / Fatigue limit load, radial  |
| $C_{ua}$                   | 8000 N / Fatigue limit load, axial   |
| $n_G$                      | 7500 1/min / Limiting speed  |
| $n_B$                      | 2900 1/min / Reference speed   |
|                            | IR25X30X20 / Suitable inner ring   |
| Category                   | Thrust Roller Bearing  |
| Inventory                  | 0.0  |
| Manufacturer Name          | SCHAEFFLER GROUP   |
| Minimum Buy Quantity       | N/A  |
| Weight / Kilogram          | 0.14   |
| EAN                        | 4012802292961  |
| Product Group              | B04144   |
| Rolling Element            | Combination - Needle Roller and Thrust Roller Bearing  |
| Self Aligning              | No   |
| Component Description      | Roller Assembly plus Raceways  |
| Thrust Bearing             | Yes  |
| Single or Double Direction | Single Direction   |
| Banded                     | No   |
| Cage Material              | Steel  |
| Precision Class            | ABEC 1   ISO P0  |
| Long Description           | 30MM Bore 1; 30MM Bore 2; 42MM Outside Diameter; 30MM Height; Combination - Needle Roller and Thrust Roller Bearing; Single Direction; Not Self Aligning; Not Banded; Steel Cage; ABEC 1   ISO P0; Rolle |
| Inch - Metric              | Metric   |



## REXROTH BEARINGS DEVELOPMENT LTD

|                                     |   |
|-------------------------------------|---|
| Category                            | Thrust Roller Bearings                              |
| UNSPSC                              | 31171537  |
| Harmonized Tariff Code              | 8482.80.00.80                                       |
| Noun                                | Bearing   |
| Keyword String                      | Combination   |
| Manufacturer URL                    | <a href="http://www.ina.com">http://www.ina.com</a> |
| Manufacturer Item Number            | NKXR30  |
| Weight / LBS                        | 0.298   |
| Overall Height with Aligning Washer | 0 Inch   0 Millimeter                               |
| Bore 2                              | 1.181 Inch   30 Millimeter                          |
| Outside Diameter                    | 1.654 Inch   42 Millimeter                          |
| Height                              | 1.181 Inch   30 Millimeter                          |
| Bore 1                              | 1.181 Inch   30 Millimeter                          |