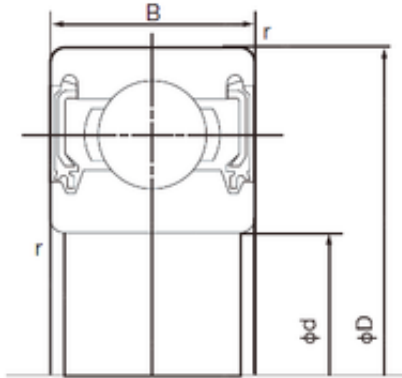




REXROTH BEARINGS DEVELOPMENT LTD

20 mm x 42 mm x 12 mm NACHI 6004-2NKE9
deep groove ball bearings



Bearing No. 6004-2NKE9

6004-2NKE9 Bearing 2D drawings and 3D CAD models

Size	20x42x12 mm
Bore Diameter	20 mm
Outer Diameter	42 mm
Width	12 mm
d	20 mm
D	42 mm
B	12 mm
C	12 mm
r min.	0.6 mm
Basic dynamic load rating (C)	9,4 kN
Basic static load rating (C0)	5 kN
Bore Type	Cylindrical Bore
Enclosure	Double Seal
Configuration	Single Row
Weight	0.070 kg
Bore Size	20 mm
Outside Diameter	42 mm
Width	12 mm
Dynamic Load Rating	9,400 N
Static Load Rating	5,000 N
Limiting Speed - Grease	18,000 rpm
Factor fo	13.9
Radial Clearance	0.005 to 0.020 mm
da (min)	24 mm
Da (max)	38 mm



REXROTH BEARINGS DEVELOPMENT LTD

ra (max)	0.6 mm
----------	--------