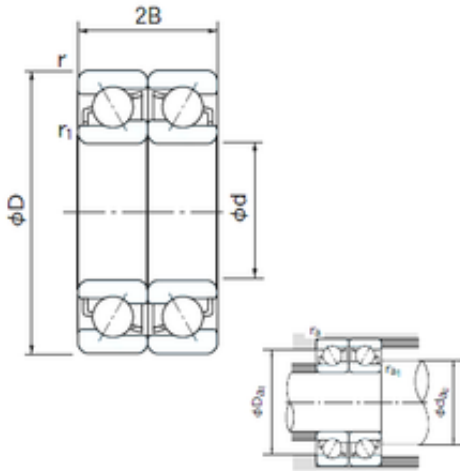




REXROTH BEARINGS DEVELOPMENT LTD



20 mm x 42 mm x 12 mm NACHI 7004CDF
angular contact ball bearings

Bearing No. 7004CDF

7004CDF Bearing 2D drawings and 3D CAD models

Size	20x42x12 mm
Bore Diameter	20 mm
Outer Diameter	42 mm
Width	12 mm
d	20 mm
D	42 mm
B	12 mm
C	12 mm
Angle (°)	15 °
a -	2.4 mm
r min.	0.6 mm
r1 min.	0.3 mm
2B	24 mm
da min.	24 mm
Da max.	40 mm
ra max.	0.3 mm
Weight	0.079 Kg
Basic dynamic load rating (C)	18,2 kN
Basic static load rating (C0)	13,2 kN
(Grease) Lubrication Speed	21000 r/min
Bore Type	Cylindrical Bore
Enclosure	Open
Configuration	Duplex
Bore Size	20 mm
Outside Diameter	42 mm



REXROTH BEARINGS DEVELOPMENT LTD

Width	12 mm
Fillet Radius/Chamfer	0.6 mm
r1	0.3 mm
Dynamic Load Rating	18,200 N
Static Load Rating	13,200 N
Limiting Speed - Grease	21,000 rpm
Limiting Speed - Oil	28,000 rpm
da1 (min)	24 mm
da2 (min)	24 mm
Da1 (max)	38 mm
Da2 (max)	40 mm
ra (max)	0.6 mm
ra1 (max)	0.3 mm