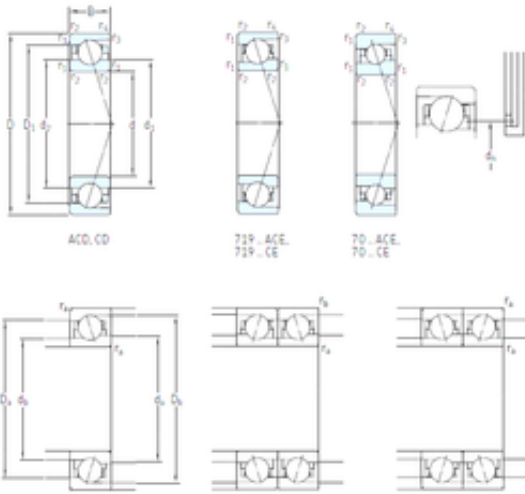




REXROTH BEARINGS DEVELOPMENT LTD



150 mm x 225 mm x 35 mm SKF 7030
ACD/P4A angular contact ball bearings

Bearing No. 7030 ACD/P4A

7030 ACD/P4A Bearing 2D drawings and 3D CAD models

Size	150x225x35 mm
Bore Diameter	150 mm
Outer Diameter	225 mm
Width	35 mm
d	150 mm
D	225 mm
B	35 mm
C	35 mm
d1	173,1 mm
d2	173,1 mm
r1 min.	2,1 mm
r2 min.	2,1 mm
r3 min.	1 mm
r4 min.	1 mm
D1	201,9 mm
D2	206,6 mm
da min.	161 mm
Da max.	214 mm
db min	161 mm
ra max.	2 mm
rb max.	1 mm
dh	178,2 mm
Db max	220 mm
Weight	4,15 Kg
Basic dynamic load rating (C)	163 kN



REXROTH BEARINGS DEVELOPMENT LTD

Basic static load rating (C0)	180 kN
(Grease) Lubrication Speed	5 300 r/min
(Oil) Lubrication Speed	8 000 r/min
Fatigue load limit (Pu)	5,6
Category	Precision Ball Bearings
Inventory	0.0
Manufacturer Name	SKF
Minimum Buy Quantity	N/A
Weight / Kilogram	4.734
EAN	7316570071870
Product Group	B04270
Enclosure	Open
Precision Class	ABEC 7 ISO P4
Material - Ball	Steel
Number of Bearings	1 (Single)
Contact Angle	25 Degree
Preload	None
Raceway Style	1 Rib Outer Ring
Cage Material	Phenolic
Rolling Element	Ball Bearing
Flush Ground	No
Inch - Metric	Metric
Other Features	Single Row Angular Contact High Precision
Long Description	150MM Bore; 225MM Outside Diameter; 35MM Width; Open Enclosure; ABEC 7 ISO P4 Precision; Steel Ball Material; 1 (Single) Bearings; 25 Degree Contact Angle; Phenolic Cage Material; 1 Rib Outer Ring R
Category	Precision Ball Bearings
UNSPSC	31171531



REXROTH BEARINGS DEVELOPMENT LTD

Harmonized Tariff Code	8482.10.50.28
Noun	Bearing
Keyword String	Angular Contact Ball
Manufacturer URL	http://www.skf.com
Manufacturer Item Number	7030 ACD/P4A
Weight / LBS	10.428
Bore	5.906 Inch 150 Millimeter
Width	1.378 Inch 35 Millimeter
Outside Diameter	8.858 Inch 225 Millimeter
d_1	173.1 mm
d_2	173.1 mm
D_1	201.9 mm
$r_{1,2}$ min.	2.1 mm
$r_{3,4}$ min.	1 mm
a	61.4 mm
d_a min.	161 mm
d_b min.	161 mm
D_a max.	214 mm
D_b max.	220 mm
r_a max.	2 mm
r_b max.	1 mm
d_n	178.2 mm
Basic dynamic load rating C	163 kN
Basic static load rating C_0	180 kN
Fatigue load limit P_u	5.6 kN
Attainable speed for grease lubrication	5300 r/min
Attainable speed for oil-air lubrication	8000 r/min
Ball diameter D_w	23.812 mm
Number of balls z	22
Reference grease quantity G_{ref}	54 cm ³



REXROTH BEARINGS DEVELOPMENT LTD

Preload class A G_A	1000 N
Static axial stiffness, preload class A	388 N/ μ m
Preload class B G_B	2000 N
Static axial stiffness, preload class B	506 N/ μ m
Preload class C G_C	4000 N
Static axial stiffness, preload class C	671 N/ μ m
Preload class D G_D	8000 N
Static axial stiffness, preload class D	909 N/ μ m
Calculation factor f	1.16
Calculation factor f_1	0.99
Calculation factor f_{2A}	1
Calculation factor f_{2B}	1.02
Calculation factor f_{2C}	1.05
Calculation factor f_{2D}	1.08
Calculation factor f_{HC}	1
Calculation factor e	0.68
Calculation factor (single, tandem) Y_2	0.87
Calculation factor (single, tandem) Y_0	0.38
Calculation factor (single, tandem) X_2	0.41
Calculation factor (back-to-back, face-to-face) Y_1	0.92
Calculation factor (back-to-back, face-to-face) Y_2	1.41
Calculation factor (back-to-back, face-to-face) Y_0	0.76
Calculation factor (back-to-back, face-to-face) X_2	0.67
Mass bearing	4.17 kg