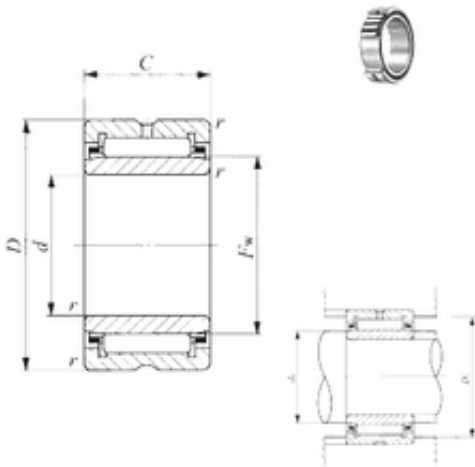




# REXROTH BEARINGS DEVELOPMENT LTD

130 mm x 180 mm x 50 mm IKO NA 4926  
needle roller bearings



Bearing No. NA 4926

Size	130x180x50 mm
Bore Diameter	130 mm
Outer Diameter	180 mm
Width	50 mm
d	130 mm
Fw	150 mm
D	180 mm
B	50 mm
C	50 mm
r min.	1,5 mm
da min.	138 mm
da max	148 mm
Da max.	172 mm
S	2,5 mm
Weight	4,03 Kg
Basic dynamic load rating (C)	215 kN
Basic static load rating (C0)	540 kN

NA 4926 Bearing 2D drawings and 3D CAD models