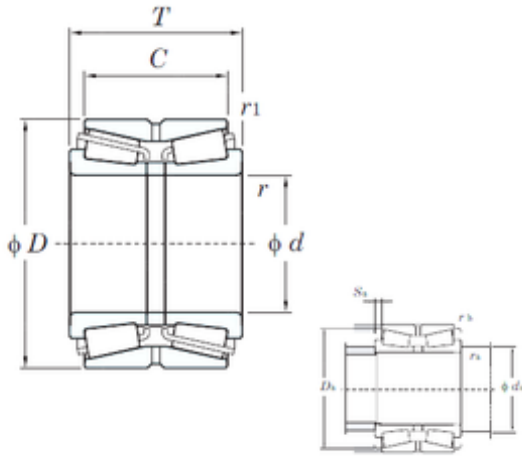




# REXROTH BEARINGS DEVELOPMENT LTD



## KOYO 46222 tapered roller bearings

Bearing No. 46222

Size	110x170x45 mm
Bore Diameter	110 mm
Outer Diameter	170 mm
Width	45 mm
d	110 mm
D	170 mm
T	45 mm
C	40 mm
r min.	2,5 mm
r1 min.	0,6 mm
da min.	122 mm
Da min	157,2 mm
ra max.	2 mm
rb max.	0,6 mm
Weight	3,58 Kg
Basic dynamic load rating (C)	175 kN
Basic static load rating (C0)	304 kN
(Grease) Lubrication Speed	1700 r/min
(Oil) Lubrication Speed	2200 r/min
Calculation factor (e)	0,35
Calculation factor (Y0)	1,91
Bearing No.	46222
r(min)	2.5
r1(min)	0.6
Cr	219
C0r	304

46222 Bearing 2D drawings and 3D CAD models



## REXROTH BEARINGS DEVELOPMENT LTD

Cu	21.2
Grease lub.	1700
Oil lub.	2200
da(min)	122
Da(min)	165
Sa(min)	2.5
ra(max)	2
rb(max)	0.6
e	0.35
Y2	1.95
Y3	2.90
Y0	1.91
(Refer.)Mass(kg)	3.58